

Schäffer



NEW PERSPECTIVES

8620 T-3 and 9640 T-3: The new age of telescopic wheel loaders

THE FUTURE OF TELESCOPIC WHEEL LOADERS STARTS HERE

The 8620 T-3 and the 9640 T-3 represent the start of a new era of telescopic wheel loaders. The machines define the future of this powerful loader class and offer an unparalleled level of performance, ergonomics and efficiency. Sounds good? That's because it is!

Our brand new comfort cabin Plus offers significantly enhanced driving comfort and an extended range of functions. A wealth of new assistance systems improves work efficiency. At the same time, safety is boosted through monitored loading processes and an optimised all-round view.

With over 30 years of experience in the design and engineering of telescopic wheel loaders, we have combined our expertise with your ideas to create a new generation. The result: two new telescopic wheel loaders that make your farm work more comfortable and more efficient.

We know your telescopic wheel loader is often the machine that does the most work on your farm. This is due not least to its versatile application possibilities. And this is the reason why your new telescopic wheel loader deserves only the best in terms of safety, efficiency, ergonomics and comfort. Our 8620 T-3 and 9640 T-3 models set new standards in all these areas and are your reliable partners on the road to economic success.

More photos:
schaeffer.de/en/8620t-3





Smartphone holder

10" touch screen

Round instrument panel with level indicators and tell-tale lights

Side window can be opened 180°, easily accessible door and window release

USB sockets

Clearly arranged operating panel

Sockets

Electronic SRS joystick

Ignition key

Cup holder

The height and tilt of the steering column can be adjusted by a pedal

Parking brake

THE CABIN: YOUR NEW COMMAND CENTRE

Enter the large and inviting comfort cabin Plus, which is much more spacious than its predecessors thanks to a wider design. It is equipped with a 10-inch touch-screen, which makes operation more user-friendly than ever. Control your telescopic wheel loader effortlessly and intuitively. The colour-structured switch concept facilitates navigation. An additional soft-touch control panel featuring large buttons ensures quick access to the most frequently used functions. The steering column is easy to adjust, and all the pedals have an ergonomic and suspended design – a distinct advantage for both controlling and cleaning.

Fully suspended pedals

Large window in the roof with roller blind

Radio

Ambient lighting

Soft-touch control panel

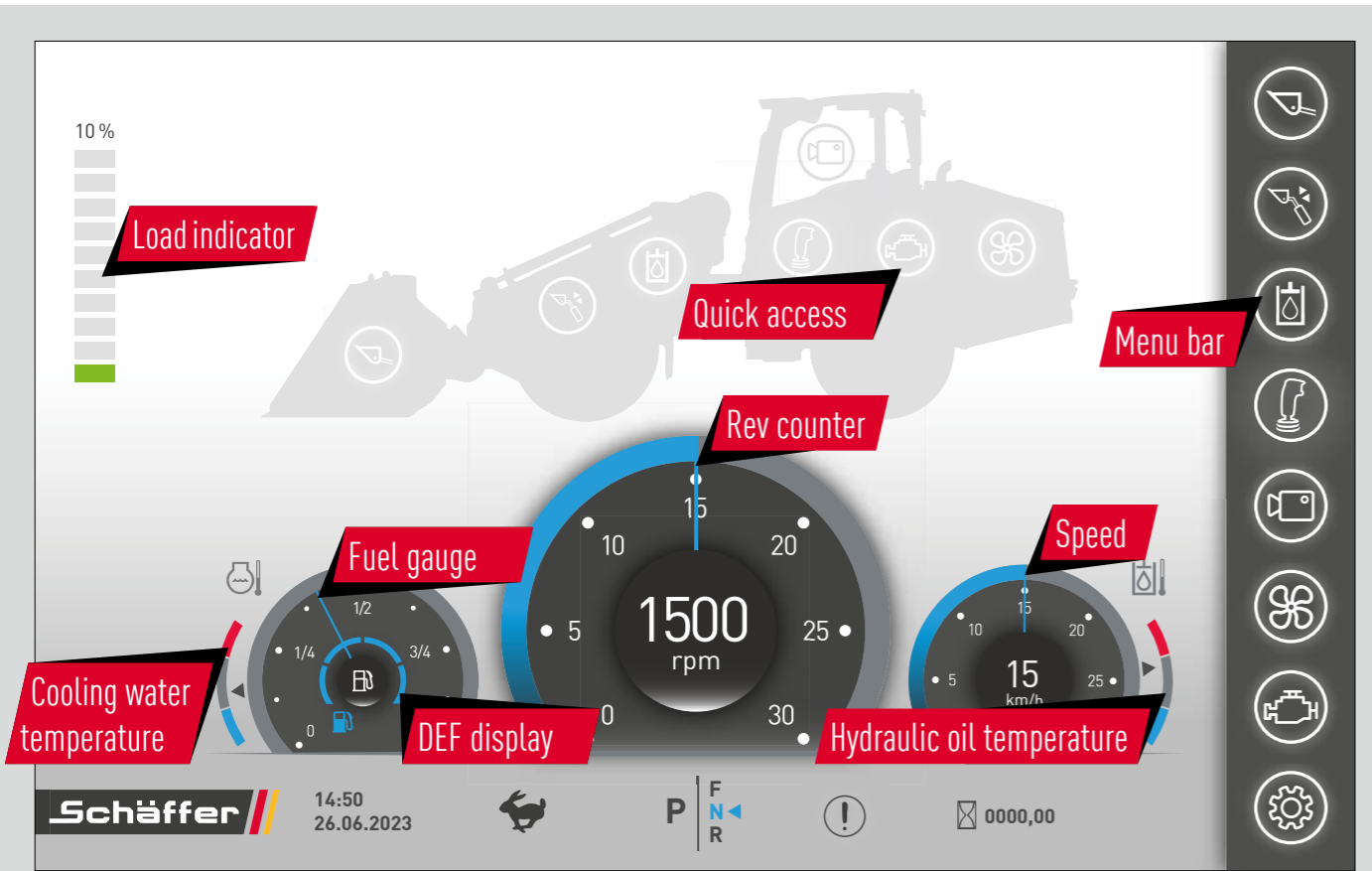
Upward view: Next to the generously dimensioned roof window is the soft-touch control panel with quick access to the most important functions, the ambient lighting and the radio.

EFFICIENT WORKING MADE EASY

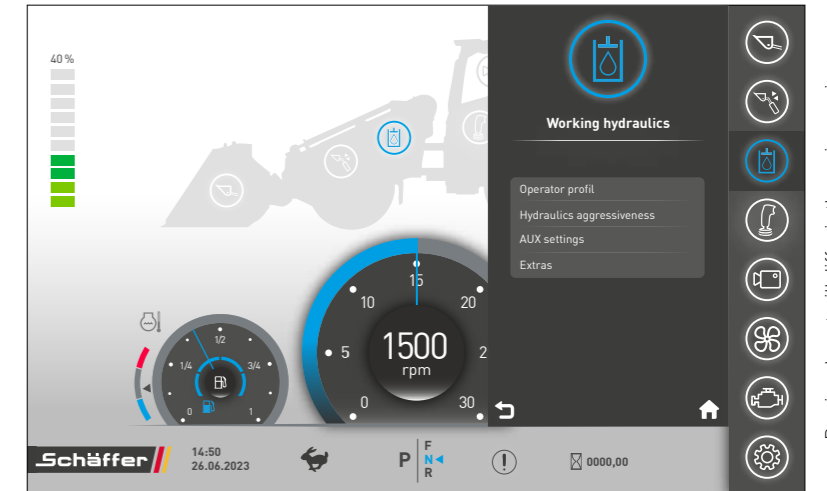
Discover the various user profiles for the working hydraulics, individually adapted to your loading activities. The "fast mode" enables fast loading processes, while the "slow mode" makes precise tasks, such as moving pallets, child's play. Control these functions intuitively via the touchscreen, just like the optional assistance systems that make working with the loader even easier. These include:

- Oil volume regulation for the auxiliary hydraulics
- Floating position of the telescopic arm
- Shake function of the tool
- Automatic tool positioning
- Automatic tool emptying
- Dynamic vibration damping
- Automatic reversing fan

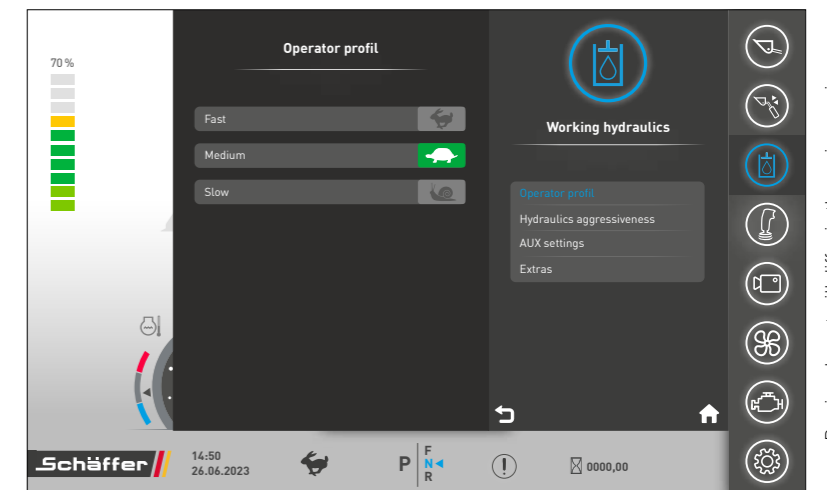
OPERATING YOUR LOADER: NOW MORE INTUITIVE THAN EVER



Everything at a glance: The new start screen provides the operator with a clear view of the machine status. The various settings can be accessed via the quick access icons on the loader at the top or via the menu bar on the right.

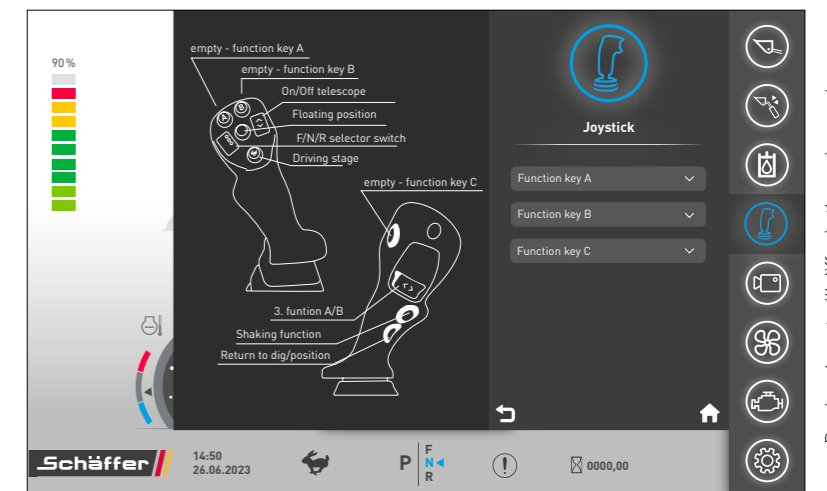


- Preview, layout will differ in the series version. -



- Preview, layout will differ in the series version. -

Example of the menu guidance for the working hydraulics: The sub-menu featuring the various options appears after selecting the button on the right-hand side or via the quick access icon. Different user profiles can be selected and further hydraulic options applied here.



- Preview, layout will differ in the series version. -

In the joystick menu, three function buttons can be assigned individually depending on the machine equipment. At the same time, the button assignment can be read. The load display at the top left always remains visible, as does the status bar in the lower section.

YOUR SAFETY IS OUR PRIORITY

Our third generation telescopic wheel loaders are equipped with a dynamic load moment control according to DIN EN474-3, which constantly monitors your loading processes. The result? Working with the peace of mind that your safety comes first. An overload situation is avoided as the telescopic arm retracts automatically when being lowered. This ensures additional safety, even for inexperienced drivers.

In terms of lighting, we rely exclusively on high-intensity LED technology to illuminate your working environment to the maximum extent possible. Up to four LED spotlights at the front of the cabin and two more on the telescopic arm ensure optimal visibility. To the rear, the field of vision is illuminated perfectly by up to four headlights, optionally three headlights plus a beacon light.

Our telescopic wheel loaders are now equipped with split mirrors – wide-angle and close-up mirrors that improve your work safety.

We have once more optimised the engine compartment. The rear sloping bonnet contributes to a better view through the rear window, and a larger window in the roof ensures a better overview of the raised telescopic arm.



Up to four working headlights can be mounted on the front of the cabin.



To the rear, there is also space for up to four working headlights; alternatively, one headlight can be replaced by a beacon light.



The driving headlights are equipped with LEDs and daytime running light.



The rear sloping bonnet ensures a better view of the working area behind the machine.

8620 T-3 standard equipment

- 4-cylinder diesel engine Deutz TCD 3.6, 75 kW (102 HP) / 95 kW (129 HP)
- DOC, DPF and SCR for compliance with Stage V emissions standards
- ECO Mode
- Combined oil cooler with hydraulic fan drive
- 2-stage air cleaner with highly efficient pre-cleaner system
- Hydrostatic four wheel drive with automotive control
- High-pressure drive HD-plus
- Tyres 18-22.5 MP590, offset -50
- HTF (High Traction Force), SPT (Schäffer Power Transmission)
- Planetary axles HD with limited slip differentials, 8 hole
- Multiple disk brake, maintenance free; service and parking brake
- Maintenance free articulation joint, 2 steering cylinders, rear pendulum axle
- Z-bar boom with parallel lift
- Ferro-form sliding elements in the telescopic arm
- Headstock type wheel loader with hydraulic tool lock
- Comfort Cab PLUS
- 10" touch screen, mobile phone holder
- Radio preparation
- Electronic SRS joystick (aggressive, smooth)
- Selectable user profiles of the working hydraulics (fast, medium, slow)
- Steering column adjustable in height and tilt by foot pedal
- LED working headlights: 2 x front, 1 x rear
- Lighting system without ABE (General approval certificate) according to ordinance StVZO
- Sockets: USB-A and USB-C, 3-pin Euro, 12 V vehicle
- Soft touch operating station for working lights and windscreen wipers
- Rear window heater
- Wide-angle and close-up mirrors
- Working hydraulics standard / options: 106 / 125 (stronger pump) / 171 l/min (Load Sensing)
- Dynamic load moment control according to DIN EN474-3
- Additional control unit can be operated electroproportionally using the joystick
- Electric locking latch for additional control unit on both sides
- Switchable end-position cushioning of the cylinders (stroke, tool, tele)
- Electric pressure relief of hydraulic couplings
- Depressurised return

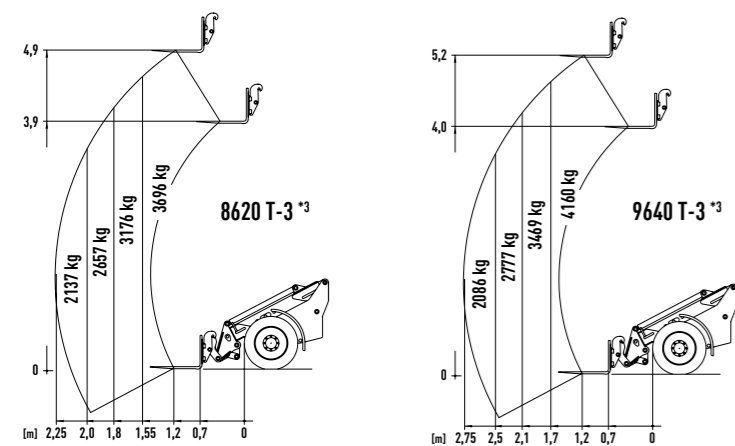
9640 T-3 standard equipment

- 4-cylinder diesel engine Deutz TCD 3.6, 105 kW (143 HP)
- DOC, DPF and SCR for compliance with Stage V emissions standards
- Combined oil cooler with hydraulic fan drive
- 2-stage air cleaner with highly efficient pre-cleaner system
- Hydrostatic four wheel drive with automotive control
- High-pressure drive HD-plus
- Tyres 460/70R24 AS, offset -50
- HTF (High Traction Force)
- Planetary axles HD with limited slip differentials, 10 hole
- Multiple disk brake, maintenance free; service and parking brake
- Maintenance free articulation joint, 2 steering cylinders, rear pendulum axle
- Z-bar boom with parallel lift
- Ferro-form sliding elements in the telescopic arm
- Headstock type wheel loader with hydraulic tool lock
- Comfort Cab PLUS
- 10" touch screen, mobile phone holder
- Radio preparation
- Electronic SRS joystick (aggressive, smooth)
- Selectable user profiles of the working hydraulics (fast, medium, slow)
- Steering column adjustable in height and tilt by foot pedal
- LED working headlights: 2 x front, 1 x rear
- Lighting system without ABE (General approval certificate) according to ordinance StVZO
- Sockets: USB-A and USB-C, 3-pin Euro, 12 V vehicle
- Soft touch operating station for working lights and windscreen wipers
- Rear window heater
- Wide-angle and close-up mirrors
- Flow sharing working hydraulics incl. proportional control of the telescopic arm
- Load-Sensing working hydraulics, 172 l/min.
- Dynamic load moment control according to DIN EN474-3
- Additional control unit can be operated electroproportionally using the joystick
- Electric locking latch for additional control unit on both sides
- Switchable end-position cushioning of the cylinders (stroke, tool, tele)
- Electric pressure relief of hydraulic couplings
- Depressurised return

TECHNICAL DATA / DIMENSIONS

	8620 T-3	9640 T-3
Engine	4-cyl. diesel engine Deutz TCD 3.6, 75 / 95 kW (102 / 129 HP)	4-cyl. diesel engine Deutz TCD 3.6, 105 kW (143 HP)
Exhaust gas treatment / emission level	DOC, DPF, SCR / V	
Traction hydraulics	hydrostatic-automotive, HTF	
Tyres	18-22.5 MP590 Option I: 400/70-20 AS Option II: 500/60-22.5 AS Option III: 600/40-22.5 AS	460/70R24 AS Option I: 500/70-24 Option II: 600/50-26.5 Option III: 700/40-26.5
Service braking system	Combined brake hydrostatic and multi-disc brake	
Parking brake	Multi-disc brake running in oil bath	
Working hydraulics Output/pressure	Delivery rate: from 106 l/min Operating pressure: 220 bar	Delivery rate: 172 l/min Operating pressure: 220 bar
Steering	Fully hydraulic articulated steering	
Lifting capacity	4,200 kg	4,200 kg
Tipping load, straight *1	5,480 kg	5,940 kg
Axles	HD axles, 8-hole rim; planetary final drive and automatic slip-control differential, swing axle at rear	HD axles, 10-hole rim; planetary final drive and automatic slip-control differential, swing axle at rear
Operating weight	Cabin: 7,050 kg - 7,950 kg	Cabin: 8,400 kg - 9,700 kg
Speed	20 km/h in 2 gears switchable under load, Option: 40 km/h	20 km/h in 2 gears switchable under load, Option: 40 km/h
Electric system	Operating voltage: 12 V	
Fill quantities	Fuel: 150 l Hydraulic oil: 130 l	Fuel: 150 l Hydraulic oil: 130 l
Sound pressure level LpA	71 dB(A)	71 dB(A)
Sound power level guaranteed LwA equivalent LwA	102 db(A) 101 db(A)	102 db(A) 102 db(A)
Hand/arm vibration *2	< 2,5 m/s ²	
Total body vibration *2	< 0,5 m/s ²	

Tyre dimensions and additional equipment can change the operating weight, tipping load and payload.



Schäffer efficiency systems

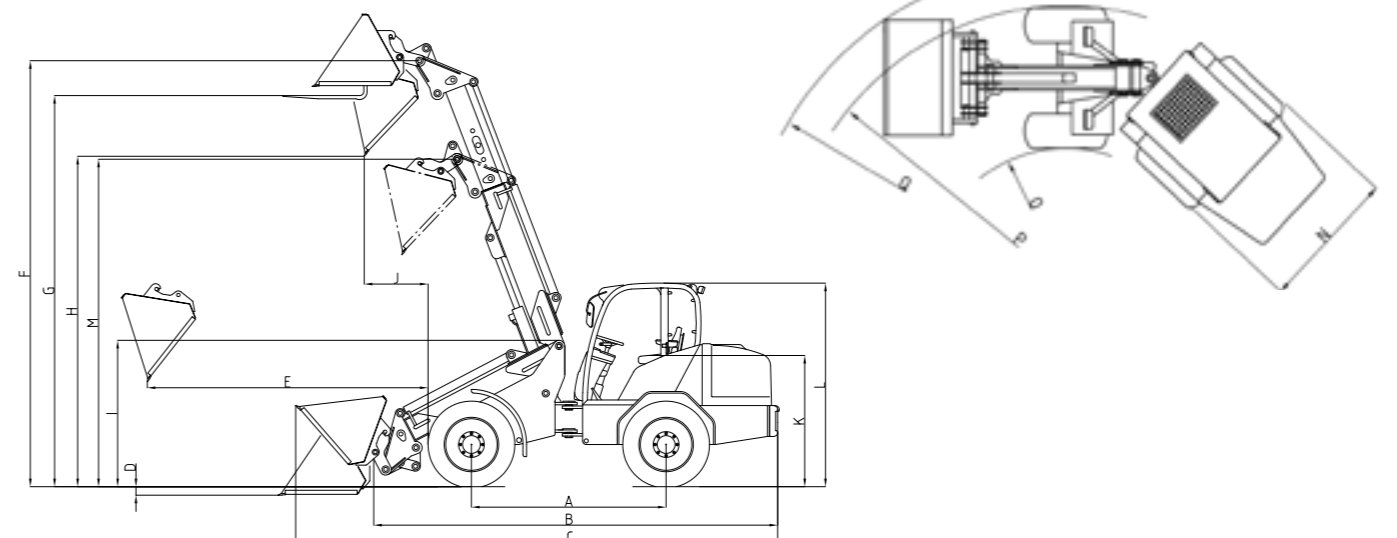
	8620 T-3	9640 T-3
HTF	X	X
SPT	X	O
eco Mode	X	O
SDCT	-	O

X = as standard, O = optional

*1 boom horizontal, not extended, with pallet fork (acc. to ISO 14397) *2 according to ISO 8041 *3 using forks on stable underground (according EN 474-3)

All technical specifications in this brochure refer to serial models and describe their standard functions. The equipment components and their functions as well as the accessories depend on the individual model and the product options and also on the country and customer specific requirements (the maximum values for tipping loads and payloads can only be reached with additional ballasting). Images may contain products or equipment components which are not mentioned or cannot be obtained as a standard. The descriptions, measurements, images, weight specifications and technical data correspond to the state of the art at the time of printing and are non-binding. We reserve changes in the field of construction, equipment, optics and technology without prior notice, due to the continuous development of the products. In case of doubts concerning the performance or the mode of operation of our products due to special circumstances, we recommend the execution of work samples under controlled conditions. We cannot exclude deviations from images or measurements, calculation errors, printing errors or incompleteness in the prospectus despite all due care. We do therefore not accept any liability for the correctness and completeness of the specifications in this prospectus. We do guarantee the proper functioning of our products within the scope of our General Terms and Conditions. Any guarantees that go beyond these are on principle not provided. Any liability beyond the ones set out in our General Terms and Conditions is excluded.

		8620 T-3	9640 T-3
A	Wheelbase [mm]	2,535	2,615
B	Chassis length [mm]	5,114	5,452
C	Overall length with standard bucket [mm]	6,031	6,260
D	Digging depth [mm]	75	70
E	Reach [mm]	2,660	2,860
F	Max, bucket pivot point, [mm]	5,200	5,400
G	Loading height with pallet forks [mm]	4,960	5,178
H	Max, dumping height [mm]	4,350	4,574
I	Front end height [mm]	1,910	1,960
J	Dumping width [mm]	650	740
K	Seat height [mm]	1,660	1,650
L	Cab height [mm]	2,770	2,830
M	Swivelling point, telescopic arm retracted [mm]	4,085	4,100
N	Overall width [mm]	2,050 - 2,230	2,330 - 2,380
O	Inner turning radius [mm]	2,310	2,220
P	Outer turning radius [mm]	4,390	4,560
Q	Outer radius with standard bucket [mm]	4,920	5,110





MADE BY
Schäffer

Schäffer offers more than 30 different models, each adapted to your needs. Our loaders' range of operations is versatile: whether in agriculture or construction, gardening and landscaping, industrial and commercial applications, in stabling or warehouse management – Schäffer is always your best choice.

The way Schäffer loaders are developed, produced and serviced is unique. We bring more than 60 years' experience, and we always put the end-user first, working to make your job safer, more comfortable and more profitable. Additionally, at our Erwitte location in Germany we use state-of-the-art development and production technologies.

Ultimately, it is our employees who continuously develop new solutions, in close contact with the end user. Long-term employees combined with an insatiable appetite for research form the basis for the special quality and worldwide success of our products.

The name Schäffer offers more than just superior product quality. It also stands for outstanding safety and optimal service, which we guarantee in Germany and Europe, as well as around the globe.

Purchasing a Schäffer loader is the beginning of a long-term relationship. Your machine will only remain a 100% genuine Schäffer if you use original replacement parts. Only then will it guarantee the reliability you need, and have the right to expect. Together with our service partners, we offer you a 24-hour delivery service – 7 days a week, 365 days a year.



YOUR DEALER:

0.5/02.24/ND. Technical changes reserved. Dimensions are approximate. In some cases, illustrations show models with custom designs.